



IGLU THERAPY



H Y R O X

THE

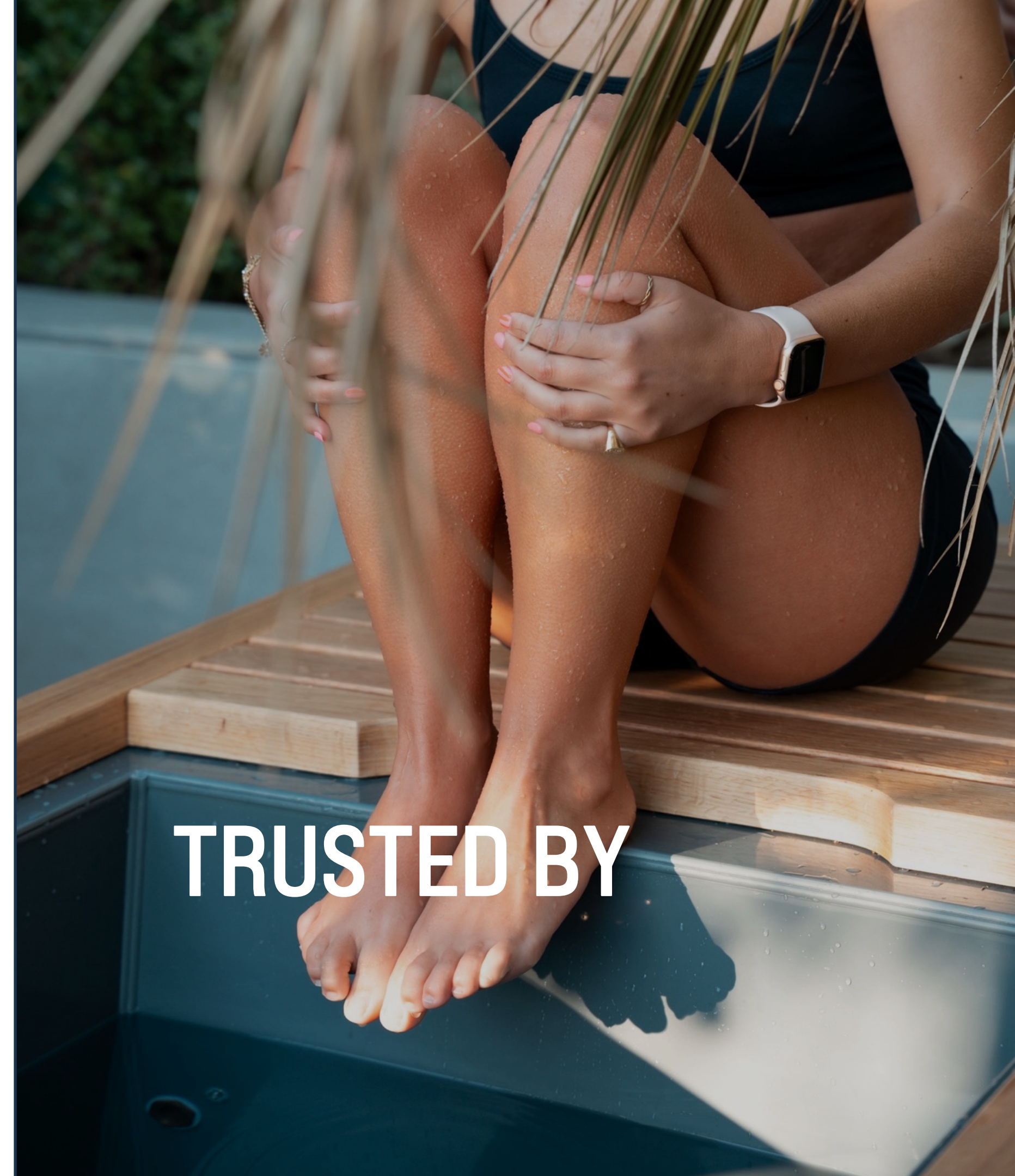
WELL



Virgin active



Virgin active | collection



TRUSTED BY



OUTLINE

About Us 04

Product Overview 05

PREMIUM & SIGNATURE SERIES

Product: MALIK 09

Product: SIKU 10

Product: QANUK 11

Product: NANUK 11

All Products Power & Technical Specifications 12

All Technical Drawings & Price List 15

MOBILE

Product: QINU Inflatable & Chiller 20

Technical Drawings & Price List 23

Contact Us 25

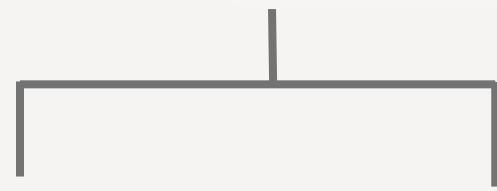
OUR PRODUCTS



MALIK *(ma-lik)*

Premium Offering

Commercial, Hospitality, Residential



MALIK XL

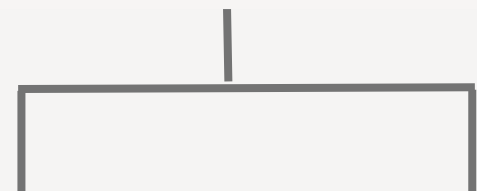
STD STD



SIKU *(see-koo)*

Premium Offering

Commercial, Hospitality, Residential



SIKU XL

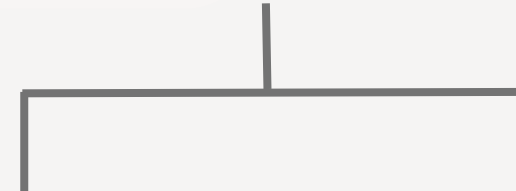
SIKU STD



QANUK *(ka-nook)*

Premium Offering

Commercial, Hospitality, Residential



QANUK XL

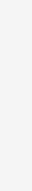
QANUK STD



NANUK *(na-nook)*

Signature Offering

Residential & Hospitality



NANUK



QINU *(kee-noo)*

Inflatable, Mobile

Residential, Sports Events, Schools



QINU ONLY + CHILLER



MALIK

Adjective: Inuit: Ocean Wave

SIKU

Adjective: Inuit: Solid Mass Of Ice

QANUK

Adjective: Inuit: Freshly Fallen Snow

NANUK

Noun: Inuit: Polar Bear

QINU

Adjective: Inuit: Moving Slushy Ice



All Premium & Signature IGLU's*:

WiFi / Touchscreen



Triple Hygiene

UV, Ozone, Bromine

12 – 36-month Option Finance



2-Year Warranty



Dual Filtration: Pre-Filter & Cartridge Filter



Step & Insulating Lid

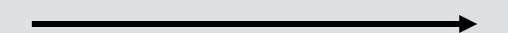
LED Lights



Auto Stop/Start 1HP chiller



MALIK, SIKU, QANUK, NANUK



PREMIUM & SIGNATURE SERIES

The MALIK Industrial. Resilient. Considered.

Contemporary colours of bone and gunmetal, marine-grade finishes, and a system designed to hold up. MALIK is low maintenance, high performance and made for real use, not just good photos.

Available in 304 and 316 Stainless Steel.
Standard and Extra Length Sizes.



The NANUK Sleek. Stoic. Sculptural.

Stainless steel body, rounded edges, and an EVA marine deck. Narrower, firmer, and more upright – made for a seated plunge when space is tight, but standards stay high.

Available in 304 Stainless Steel.
One Size.



PREMIUM & SIGNATURE SERIES

The SIKU Architectural. Grounded. Refined.

Rectangular, sharp-lined, and solid. A thick slatted deck frames the water with structure and calm. The original IGLU.

Stainless steel outer shell, Polypropylene Tub, Wooden Deck
Standard and Extra Length Sizes.



The QANUK Modern. Minimal. Intentional

Clean lines, calm presence. A narrower frame with a solid deck, for people who like their design quiet and their cold consistent.

Stainless steel outer shell, Polypropylene Tub, Wooden Deck
Standard and Extra Length Sizes.





Finish Options
EVA Deck



R88,500-R99,500*
Ex VAT. Ex Delivery

MALIK STD

Power Needed 6 - 9 amps

Dimensions W760 x L1250 x H1186mm

Chiller Size 1HP

Temperatures 3°C – 42°C

Material 304 or 316* Stainless Steel, EVA Foam

Weight Dry: 160kg; Filled (300L): 460kg

Pump 150W

Noise Rating 58 – 67 Decibels



Finish Colour
EVA Deck



R119,000
Ex VAT. Ex Delivery

MALIK XL

Power Needed 6 – 9 amps

Dimensions W780 x L1900 x H1077mm

Chiller Size 1HP

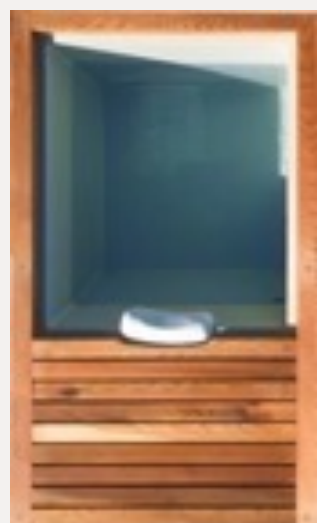
Temperatures 3°C – 42°C

Material Stainless Steel, EVA Foam

Weight Dry: 210kg; Filled (450L): 660kg

Pump 120W

Noise Rating 58 – 67 Decibels



SIKU Std

R92,500
Ex VAT. Ex Delivery

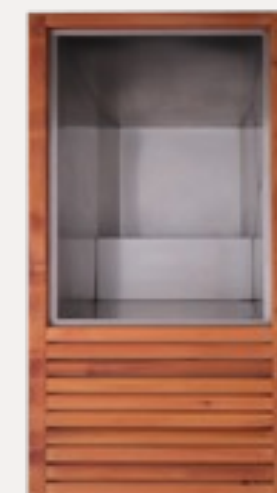
Power Needed	6-9 amps.
Dimensions	W840 x L1625 x H951mm
Chiller Size	1HP
Temperatures	3°C – 42°C
Material	Stainless Steel, Wood, Polypropylene
Weight	Dry: 180kg; Filled (320L): 500kg
Pump	120W
Noise Rating	58 – 67 Decibels



SIKU XL

R116,000
Ex VAT. Ex Delivery

Power Needed	6-9 amps
Material	W840 x L2032 x H1026mm
Chiller Size	1HP
Temperatures	3°C – 42°C
Material	Stainless Steel, Wood, Polypropylene
Weight	Dry: 220kg; Filled (320L): 540kg
Pump	120W
Noise Rating	58 – 67 Decibels



SUPER SIKU

R126,000
Ex VAT. Ex Delivery

Power Needed	9 – 12 amps
Material	W850 x L2032 x H1200mm
Chiller Size	2HP
Temperatures	3°C – 42°C
Material	Stainless Steel, Wood, Polypropylene
Weight	Dry: 250kg; Filled (480L): 730kg
Pump	150W
Noise Rating	58 – 67 Decibels



QANUK Std

R92,500
Ex VAT. Ex Delivery

Power Needed	6-9 amps.
Dimensions	W800 x L1750 x H955mm
Chiller Power	1HP
Temperatures	3°C – 42°C
Material	Stainless Steel, Wood, Polypropylene
Weight	Dry: 180kg; Filled (320L): 500kg
Pump	120W
Noise Rating	58 – 67 Decibels.



QANUK XL

R116,000
Ex VAT. Ex Delivery

Power Needed	6-9 amps
Material	W800 x L2032 x H955mm
Chiller Power	1HP
Temperatures	3°C – 42°C
Material	Stainless Steel, Wood, Polypropylene
Weight	Dry: 220kg; Filled (360L): 500kg
Pump	120W
Noise Rating	58 – 67 Decibels

NANUK

Sleek. Stoic. Sculptured.



R79,500
Ex VAT. Ex Delivery

NANUK

Power Needed	6-9 amps.
Dimensions	W760x L1350 x H115mm
Chiller Power	1HP
Temperatures	3°C – 42°C
Material	Stainless Steel, EVA Marine Foam
Weight	Dry: 145kg; Filled (300L): 400kg
Pump	120W
Noise Rating	58 – 67 Decibels.

All IGLU Premium & Signature Plunges feature:

WiFi / Touchscreen	
Triple Hygiene	UV, Ozone, Bromine
Finance Option :	12 – 36-month
2-Year Warranty	
Filtration	Dual: Pre-Filter & Cartridge Filter
Step & Insulating Lid	
LED Lights	
Auto Stop/Start 1HP chiller	

ALWAYS INCLUDED



Standard Extras

Thermometer, Headrest, Bromine & Floater,
Matching Step Stool, Cleaning Brush

3-month Paper Cartridge Filter Supply,
Flex hose for Waste

Ease of Use

Wi-Fi and touchscreen control

Fast-chill, auto-start chiller system

Ergonomic headrest for comfort

Plug-and-plunge setup

Indoor or covered outdoor use

Protected mechanical hub

Gravity-fed drain design

Quiet and energy-efficient

Triple Sanitation And Hygiene

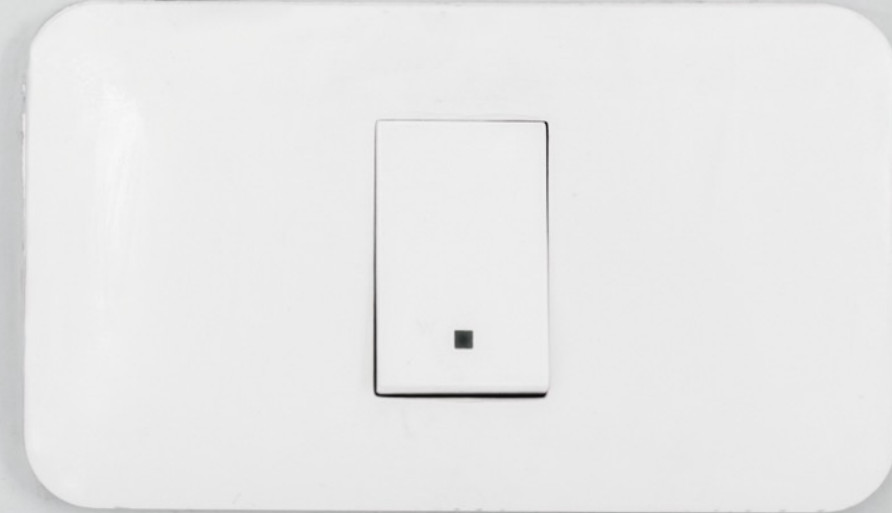
Ozone purification | UV Light | Bromine

Safety

Child- and pet-safe cover

Leak-proof construction

Two-year warranty



Volts / Hz AC220V – 240V 50/60Hz

Circuit 1HP = 6 – 9 amps

Circuit 2HP = 12 – 16 amps

Plug Point Waterproof 3-Prong Plug

Detailed Power (Pump and Chiller) and Noise Rating as well as Material Swatches overleaf.

Material Wood and Stainless-Steel Swatches

POWER & TECHNICAL SPECIFICATIONS

SWATCHES & POWER

Wood Options (*SIKU, QANUK*)

Ash



Oak

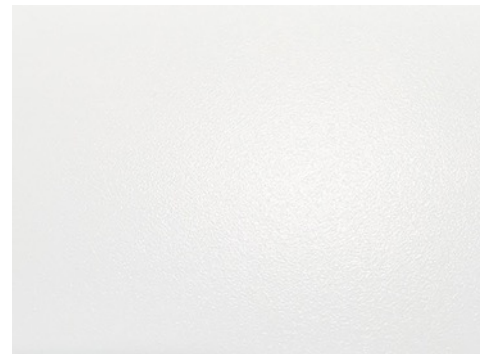
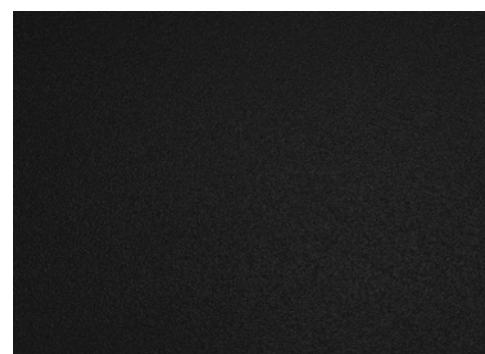


Red Cedar

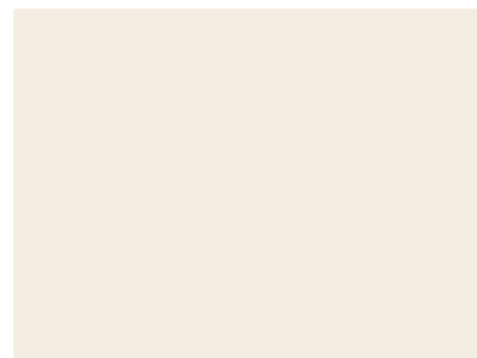


Stainless Steel Finishes

Matte Black & Matte White



Matte Gunmetal & Matte Bone (MALIK)



EVA Marine Foam

Matte Black (MALIK, NANUK)



Grey (MALIK)



Power Consumption

The Chiller

1HP Chiller Power Consumption

- 1HP = 746 watts (W)
- Daily Consumption: 746W x 24 hours = 17.9 kWh
- Monthly Consumption (30 days): 17.9 kWh/day x 30 = 537 kWh

Real-World Usage (Duty Cycle Impact):

- 50% Duty Cycle: 268.5 kWh/month
- 75% Duty Cycle: 403 kWh/month
- Estimated Monthly Consumption: 270 kWh to 540 kWh depending on operational conditions.

Cost Estimate (Eskom Rates: R3.56 to R4.00 per kWh):

- 50% Duty Cycle: R960 – R1,080/month
- 100% Duty Cycle: R1,910 – R2,150/month

Cost Estimate (CoCT: +- R4.65 per kWh):

- 50% Duty Cycle: +- R1,255/month
- 100% Duty Cycle: +- R2,500/month

The Pump

120W Pump

- Daily Consumption: 120W x 24 hours = 2.88kWh
- Cost Estimate (CTICC: R3.9070/kWh) = R11.25/day

MANDATORY VENTILATION

MALIK,SIKU, QANUK, NANUK



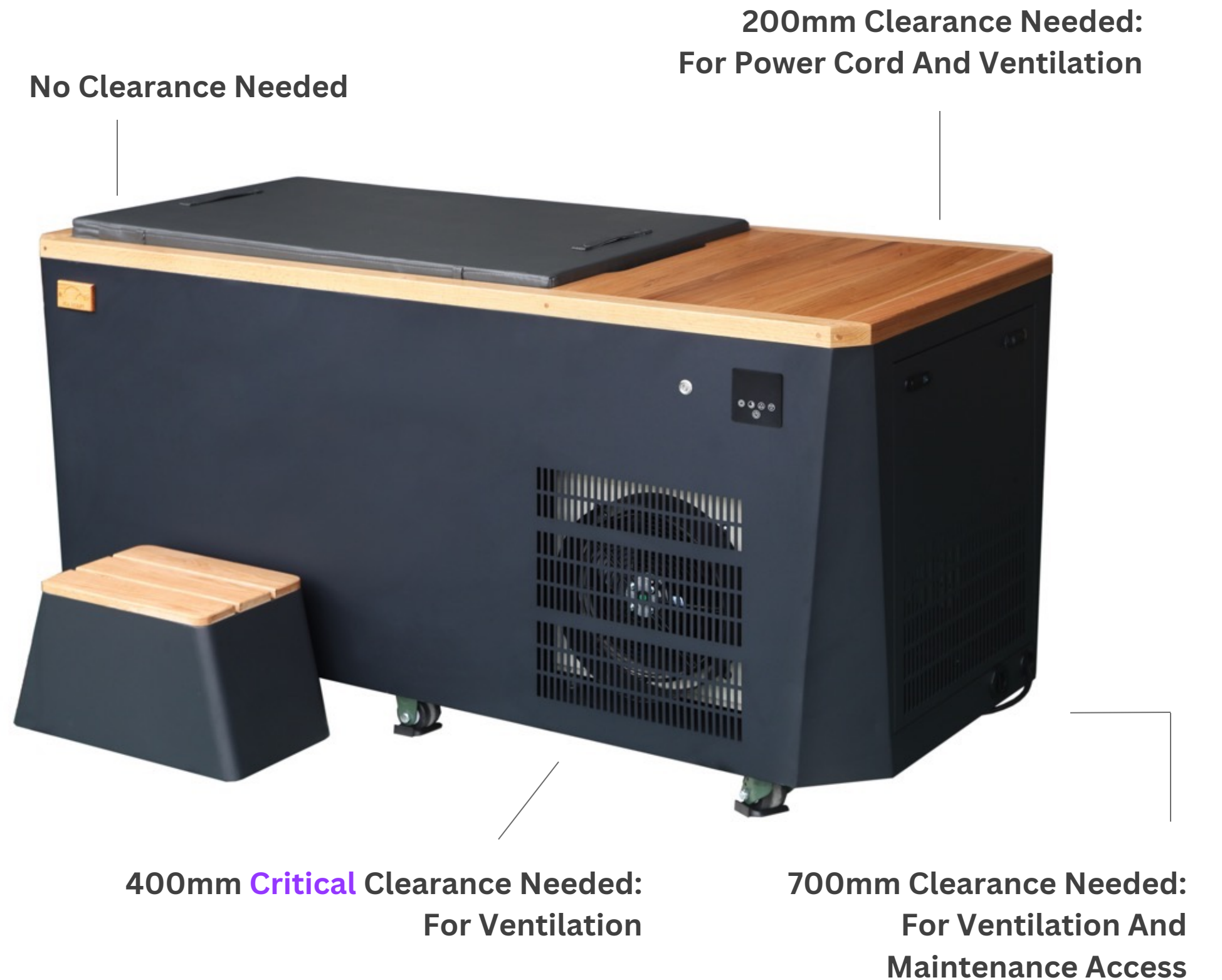
Your IGLU needs room to breathe. Three vents manage cooling and access — don't block them.

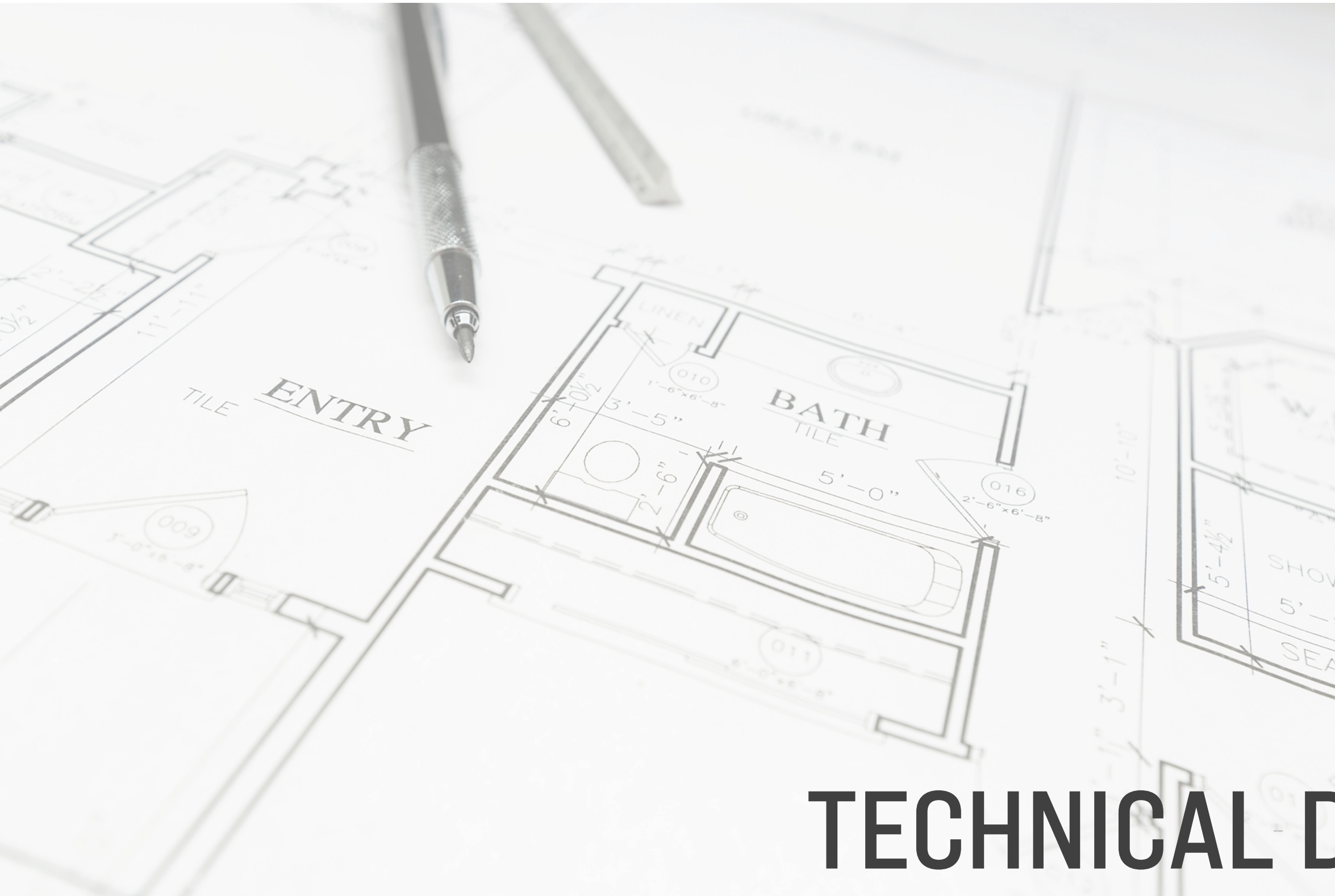
Back vent: 700 mm clearance for airflow and service access (filter + water changes).

Side vents: 400 mm clearance each for proper ventilation.

Without these spaces, your IGLU won't perform as it should.

Cold. Clean. Considered.





Style .dwg files and PDFs

Format Digital

Please download all .dwg and pdf files from the website or contact hello@iglutherapy.com

TECHNICAL DRAWINGS & PRICE LIST

TECHNICAL DRAWINGS

TOP VIEW

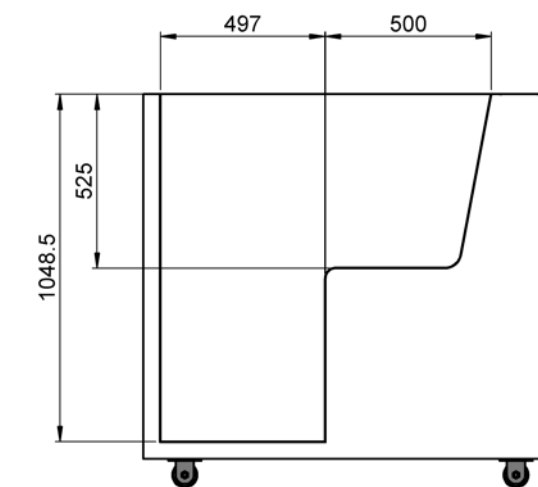
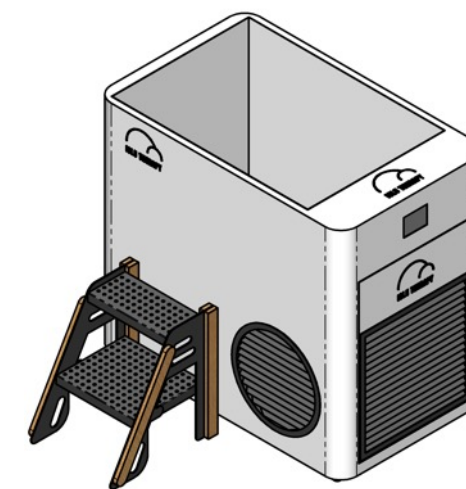
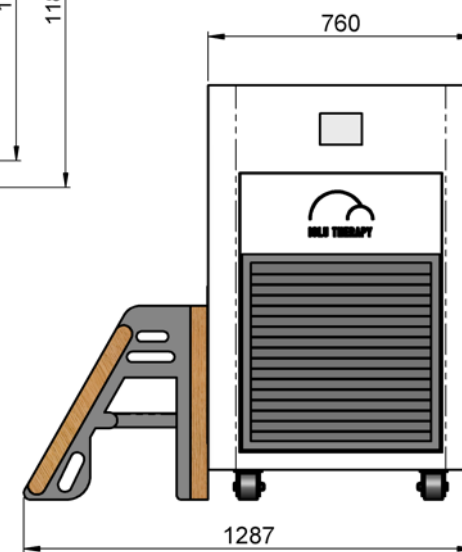
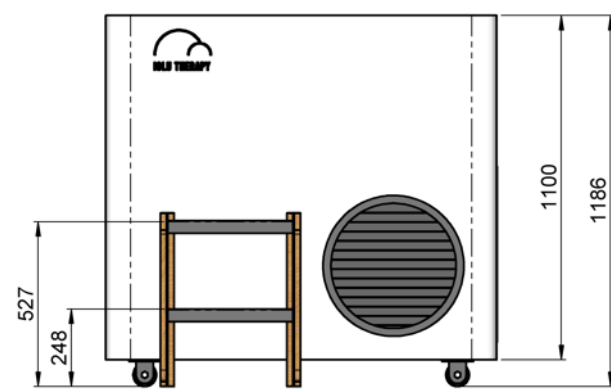
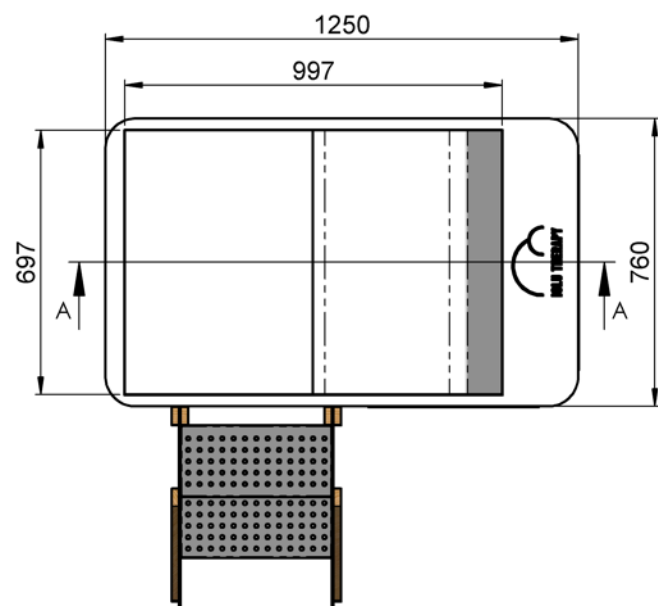
PROFILE VIEW

BACK VIEW

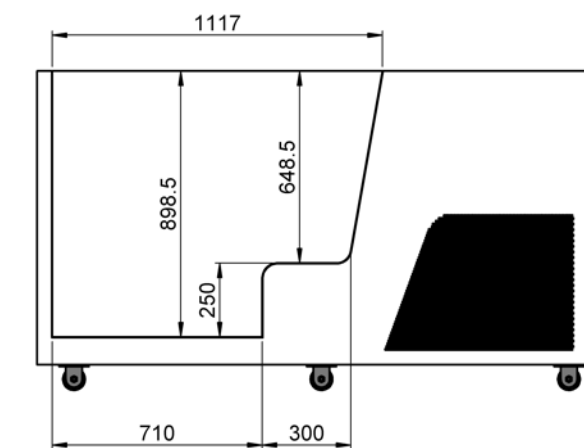
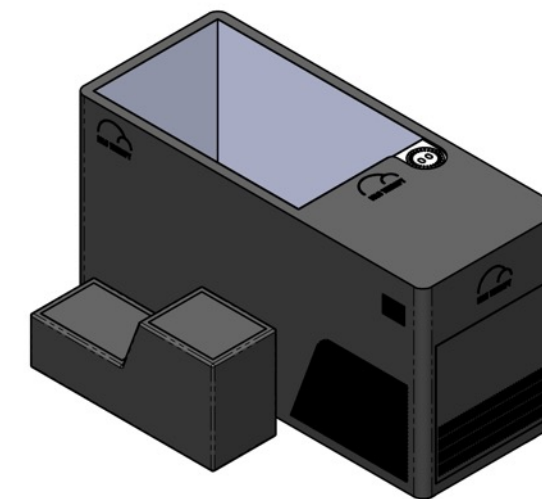
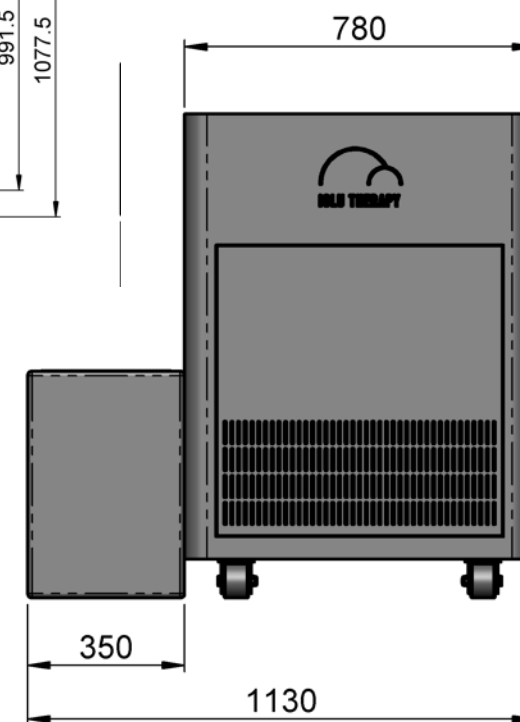
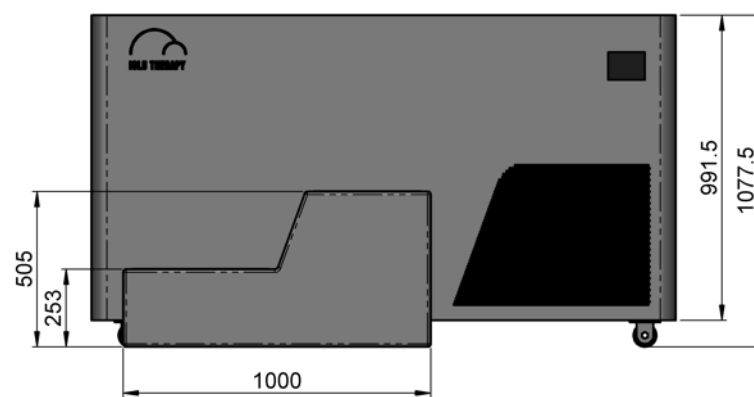
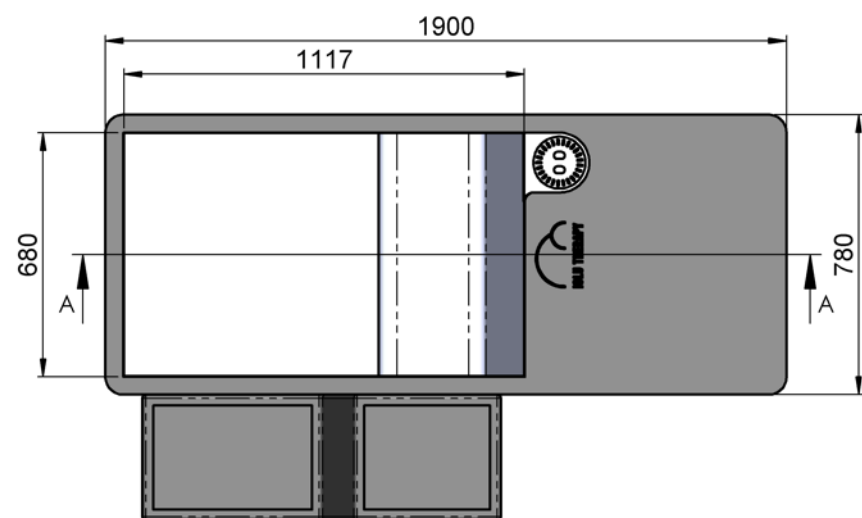
ISOMETRIC VIEW

SECTION A-A

MALIK
STD



MALIK
XL



TECHNICAL DRAWINGS

	TOP VIEW	PROFILE VIEW	BACK VIEW	TOP VIEW (TANK ONLY)	PROFILE VIEW (TANK ONLY)
SIKU STD					
SIKU XL					
SUPER SIKU					

TECHNICAL DRAWINGS

	TOP VIEW	PROFILE VIEW	BACK VIEW	TOP VIEW (TANK ONLY)	PROFILE VIEW (TANK ONLY)
QANUK STD					
QANUK XL					
NANUK					

PRICE LIST

The MALIK

Architectural.
Grounded.
Refined.

Finish Options



EVA Deck



MALIK Std 304SS

R88,500 ex VAT

Delivery + Installation:
R6,000 ex VAT*

MALIK Std 316SS

R99,500 ex VAT

Delivery + Installation:
R6,000 ex VAT*



SIKU XL

R119,000 ex VAT

Delivery + Installation:
R6,000 ex VAT*

Finish Colour



EVA Deck



The NANUK

Sleek.
Stoic.
Sculptural.

Finish Options



EVA Deck



R79,500 ex VAT

Delivery + Installation:
R6,000 ex VAT*

**12 – 36 MONTH
FINANCE AVAILABLE**

*DELIVERY TO MAJOR CITY CENTRES. OUTLYING AREAS WILL BE QUOTED SEPERATELY

PRICE LIST

The SIKU

Architectural.
Grounded.
Refined.

Wood Options



Finish Options



SUPER SIKU Matte Black Only



SIKU Standard

R92,500 ex VAT

Delivery + Installation:
R6,000 ex VAT*



SIKU XL

R116,000 ex VAT

Delivery + Installation:
R6,000 ex VAT*



SUPER SIKU

R126,000 ex VAT

Delivery + Installation:
SQ

The QANUK

Modern.
Minimal.
Intentional.

Wood Options



Finish Options



QANUK Standard

R92,500 ex VAT

Delivery + Installation:
R6,000 ex VAT*



QANUK XL

R116,000 ex VAT

Delivery + Installation:
R6,000 ex VAT*

**12 – 36 MONTH
FINANCE AVAILABLE**

*DELIVERY TO MAJOR CITY CENTRES. OUTLYING AREAS WILL BE QUOTED SEPERATELY



QINU + Chiller:

WIFI / Touchscreen



Hygiene

Ozone, Bromine

12 – 36-month Option Finance



2-Year Warranty



Dual Filtration: Pre-Filter & Cartridge Filter



Rucksack

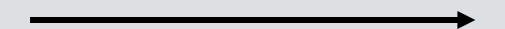


Pump

Repair Kit



QINU



QINU INFLATABLE SERIES

The QINU Effortless. Nomadic. Functional.

The ritual that travels. Always ready, never rushed.

Specifications

ONE MAN Tub:	W700 x L1320 x H600 mm
Total capacity:	300L
Tub Weight:	11kg
Filled Tub Weight:	300L
Durable anti-puncture drop stitch material	
Chiller weight:	35kg
Chiller dimensions:	W350 x L530 x H470
Minimum Temp:	3°C
Chiller Power:	0.8HP



QINU CHILLER SPECIFICATIONS

The QINU 0.8HP Chiller



QINU Cold Pod, What's Included:

QINU cold plunge and lid

Thermometer,

Double Action Inflation/Deflation Pump

Bromine & Floater

Matching Carry Bag

Repair Kit

Child / Pet Locks

QINU + Chiller: What's Included:

0.8HP Chiller (ozone, dual filtration, pump)

WiFi, Touchscreen, App Integration

Replacement Filter Cartridges x3

All the above QINU Cold Pod Gear

Chiller Power Details:

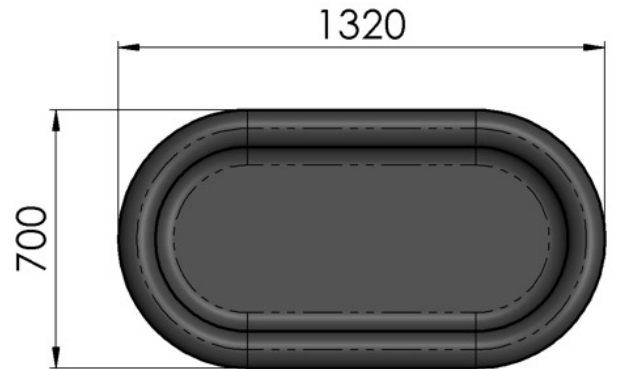
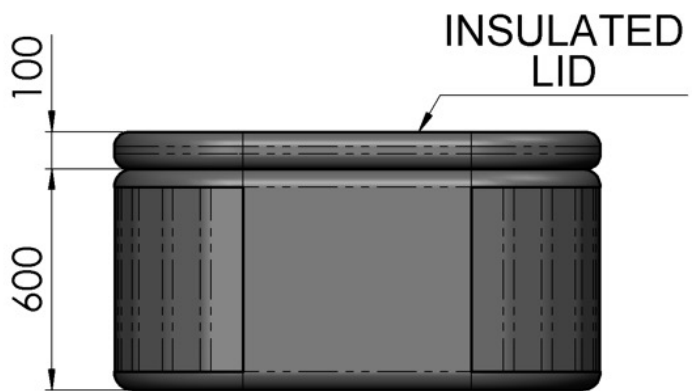
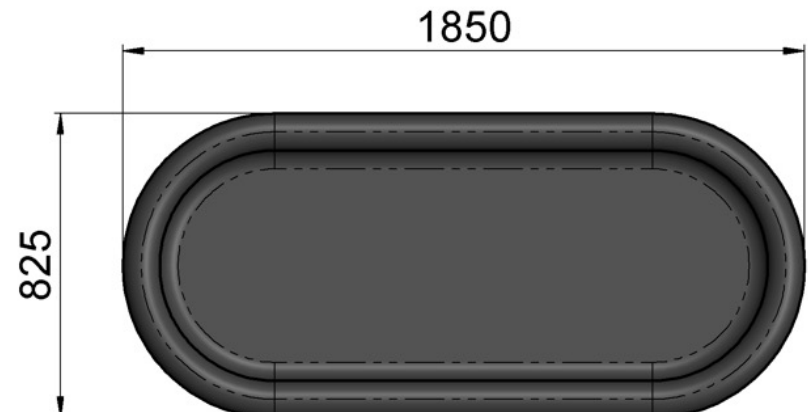
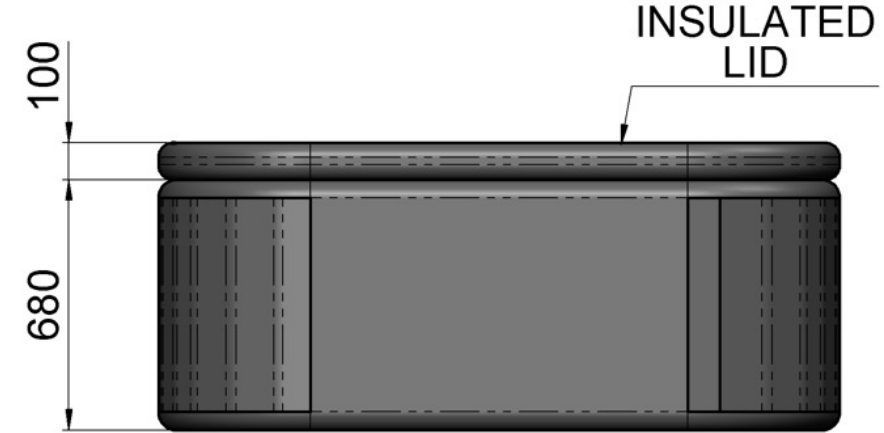
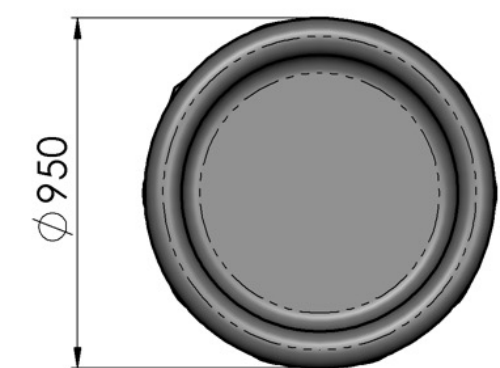
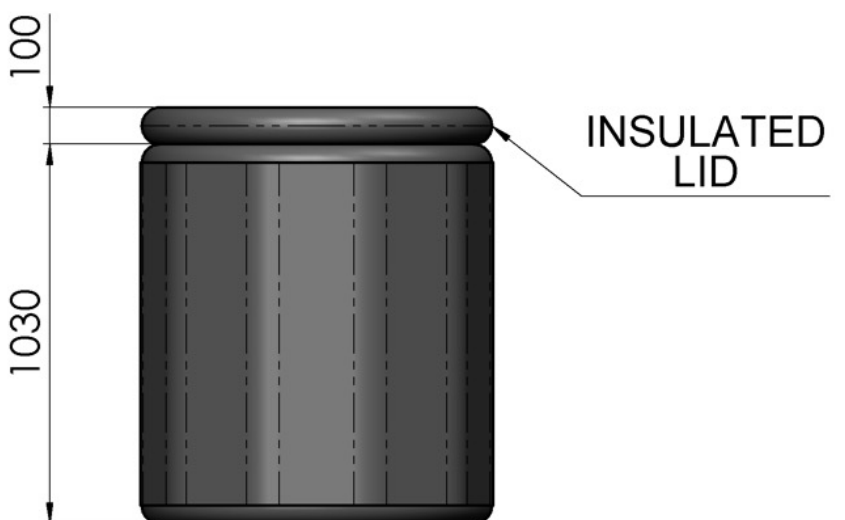
220v VAC 50/50HZ

Pump: 120W, Chiller: 0.8HP

Typical Power Consumption: 350 – 500w/h

Cooling Time (16°C to 5°C): 300L: 4 hours

TECHNICAL DRAWINGS

	<u>TOP VIEW</u>	<u>PROFILE VIEW</u>
QINU	 <p>1320</p> <p>700</p>	 <p>100</p> <p>600</p> <p>INSULATED LID</p>
QINU X-LARGE TWO MAN	 <p>1850</p> <p>825</p>	 <p>100</p> <p>680</p> <p>INSULATED LID</p>
QINU TALL	 <p>Φ 950</p>	 <p>100</p> <p>1030</p> <p>INSULATED LID</p>

PRICE LIST

The QINU

Nomadic.
Functional.
Effortless.

Finish Options ●



QINU One Man

R9,700 ex VAT

Delivery:
R400 ex VAT*

QINU Two Man

R12,900 ex VAT

Delivery:
R400 ex VAT*

QINU Tall

R9,700 ex VAT

Delivery:
R400 ex VAT*

CHILLER 0.8HP

Compact.
Consistent.
Controlled.

Finish Options ●



R58,000 ex VAT

Delivery:
R1,500 ex VAT*

The CHILLER + QINU Combo

Efficient.
Travel-Ready
Precision Cooling.

Finish Options ●



R63,000 ex VAT

Delivery:
R1,500 ex VAT*

**12 – 36 MONTH
FINANCE AVAILABLE**

*DELIVERY TO MAJOR CITY CENTRES. OUTLYING AREAS WILL BE QUOTED SEPERATELY



CONTACT US

hello@iglutherapy.com

Tel: 082 789 1236

Unit H9
Firgrove Business Park
Main Road
Firgrove
Somerset West
7129

SHOWROOM:

115 Cnr de Waterkant Road and Hudson Road
De Waterkant
Cape Town
8001