

Style .dwg files and PDFs

Format Digital

Please download all .dwg and pdf files from the website or contact hello@iglutherapy.com

IGLU

TECHNICAL DRAWINGS

MANDATORY VENTILATION

MALIK, SIKU, QANUK, NANUK



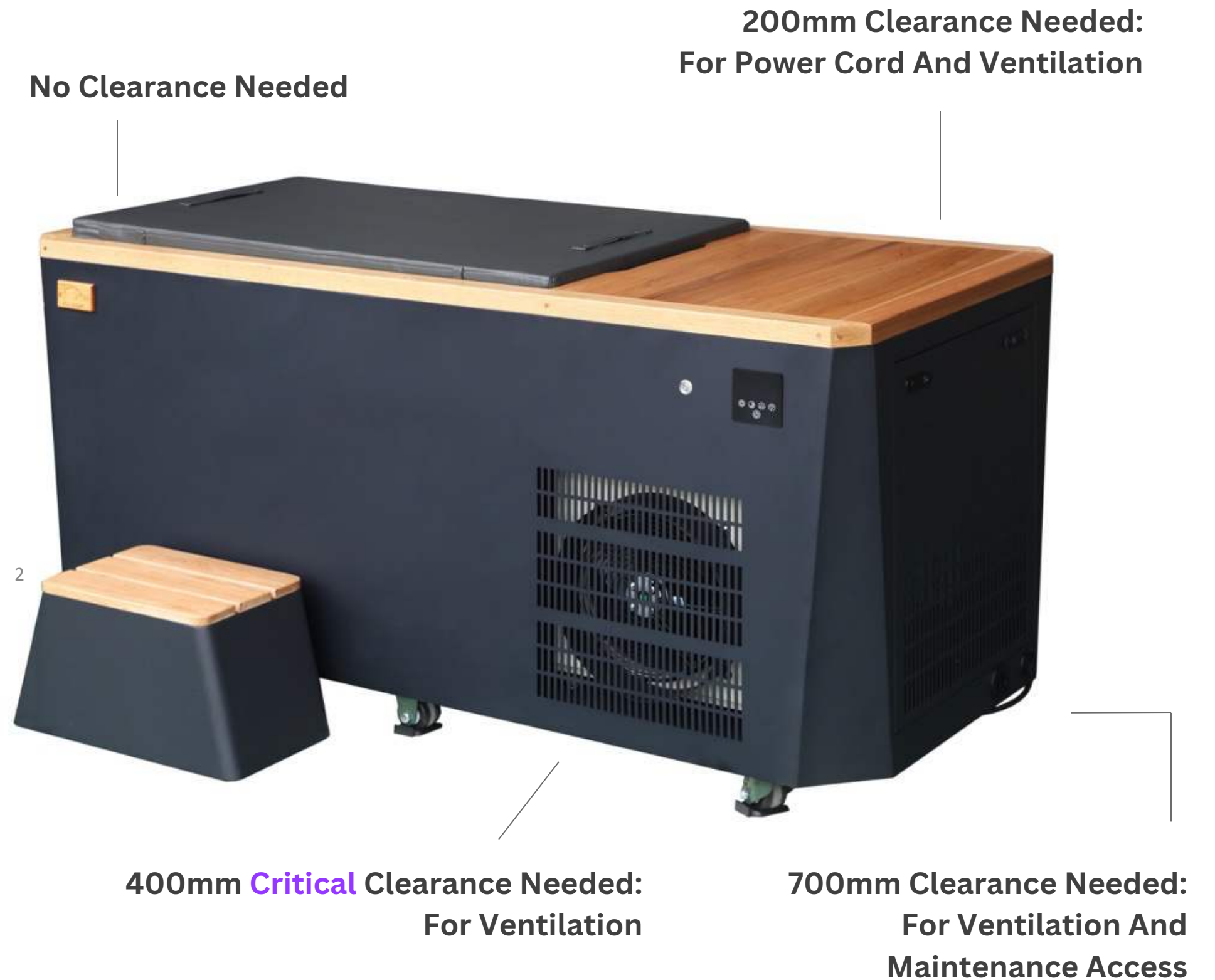
Your IGLU needs room to breathe. Three vents manage cooling and access — don't block them.

Back vent: 700 mm clearance for airflow and service access (filter + water changes).

Side vents: 400 mm clearance each for proper ventilation.

Without these spaces, your IGLU won't perform as it should.

Cold. Clean. Considered.



No Clearance Needed

200mm Clearance Needed:
For Power Cord And Ventilation

2

400mm **Critical** Clearance Needed:
For Ventilation

700mm Clearance Needed:
For Ventilation And
Maintenance Access

TECHNICAL DRAWINGS

TOP VIEW

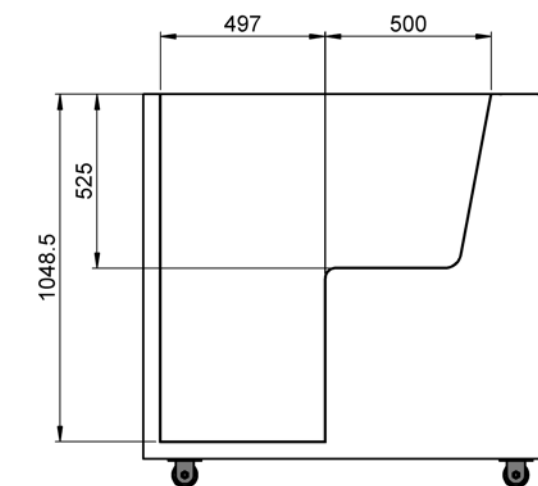
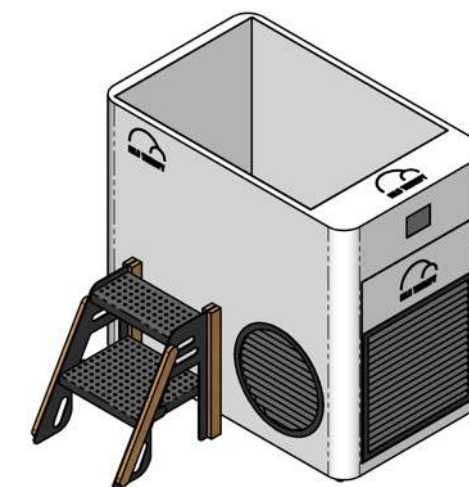
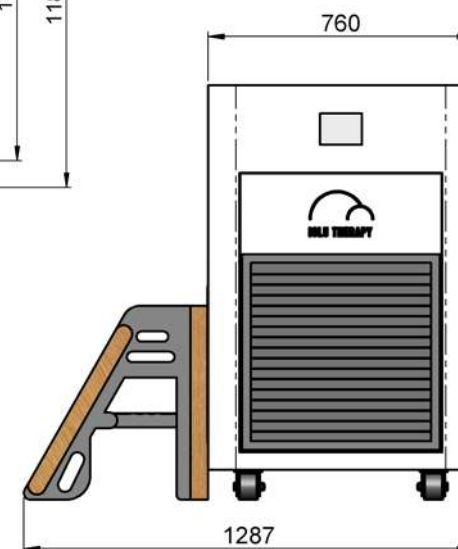
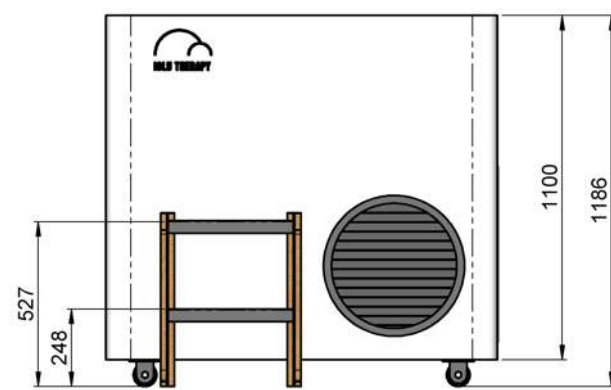
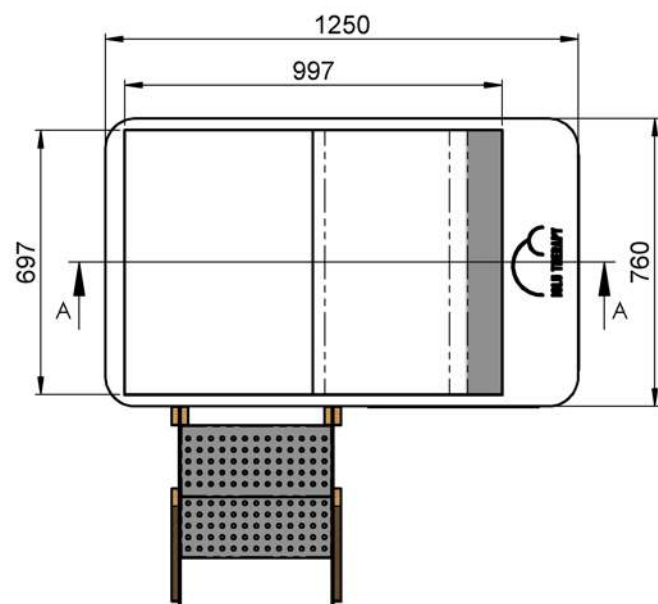
PROFILE VIEW

BACK VIEW

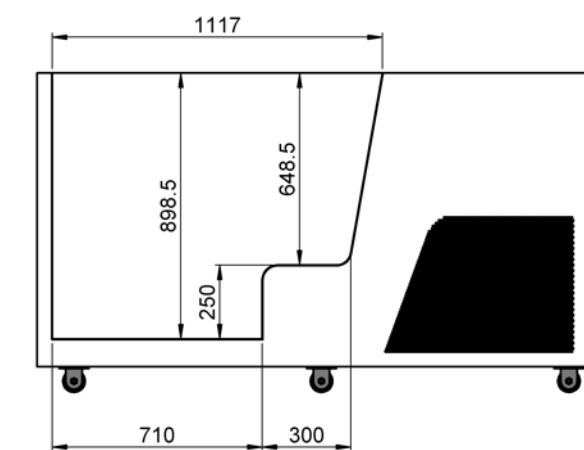
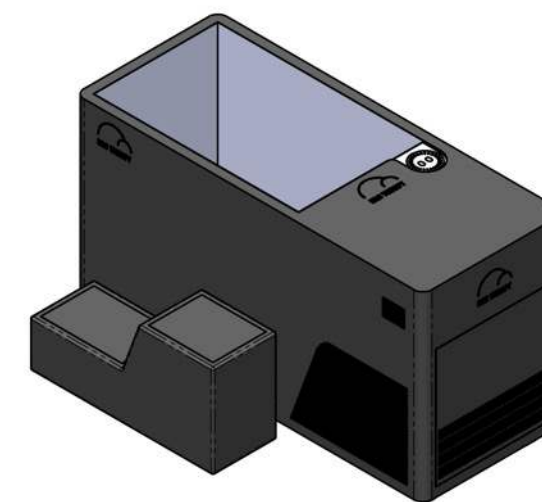
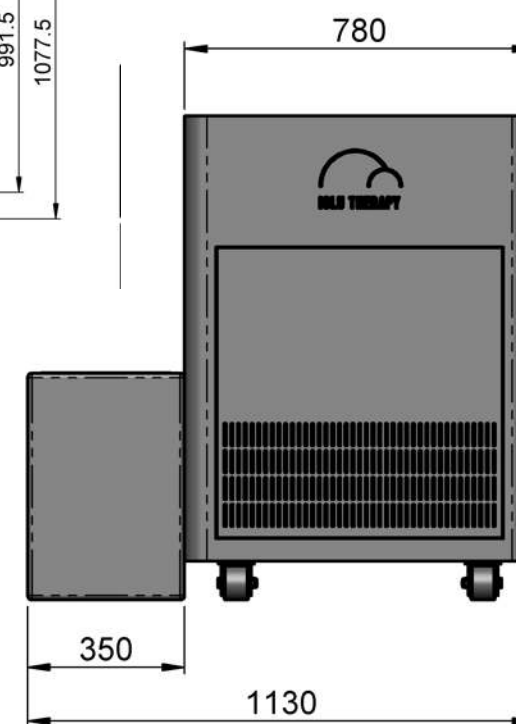
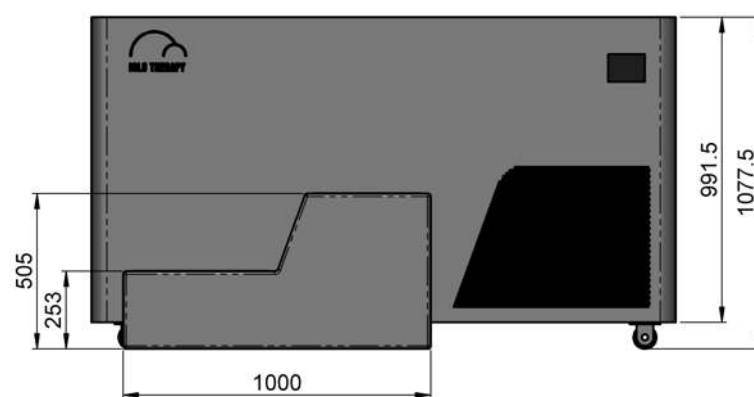
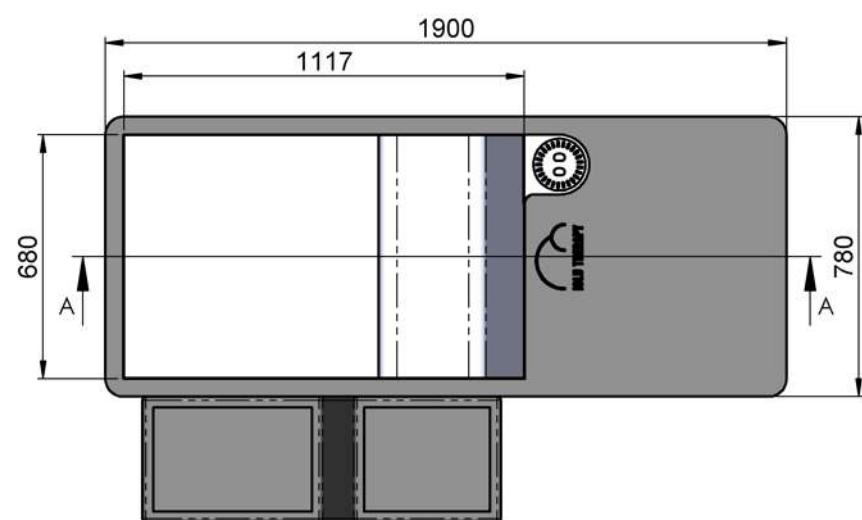
ISOMETRIC VIEW

SECTION A-A

MALIK
STD



MALIK
XL



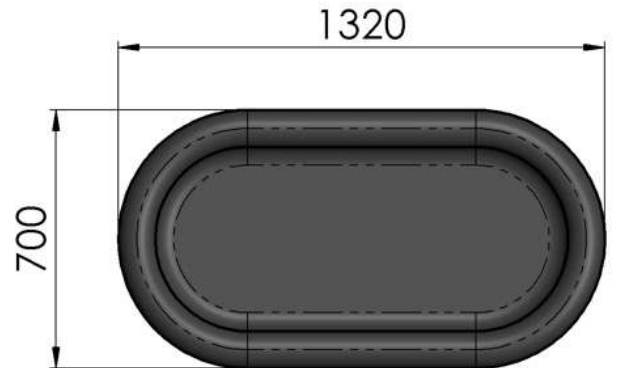
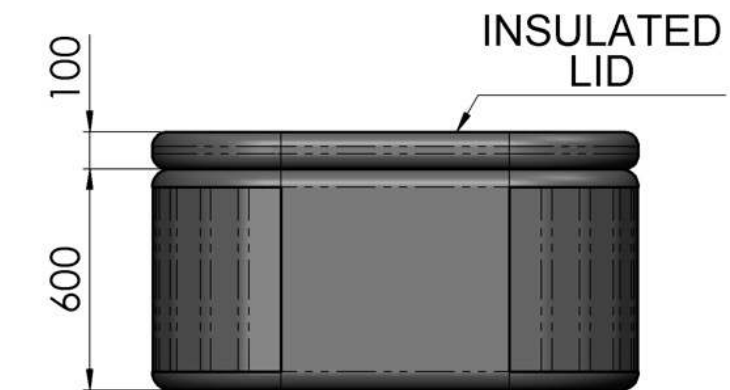
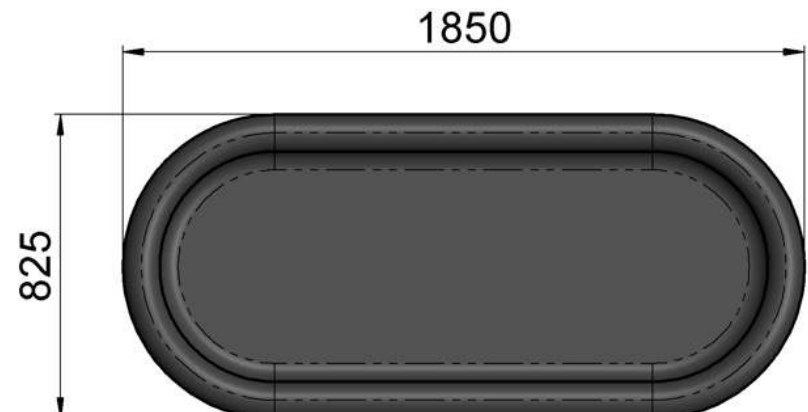
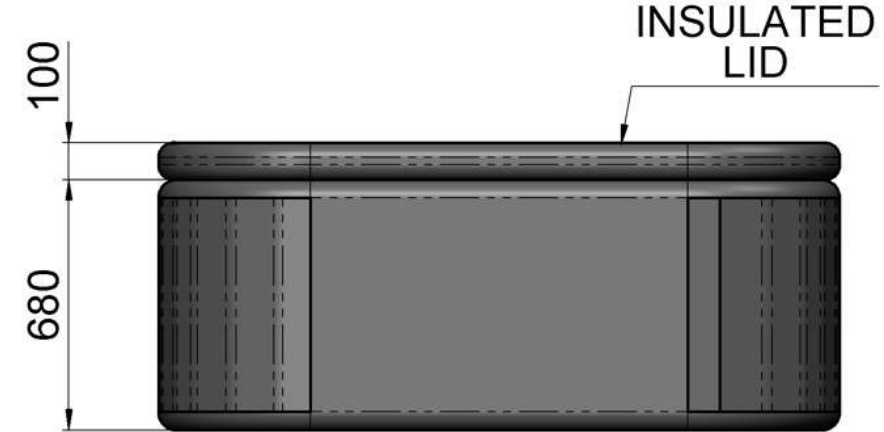
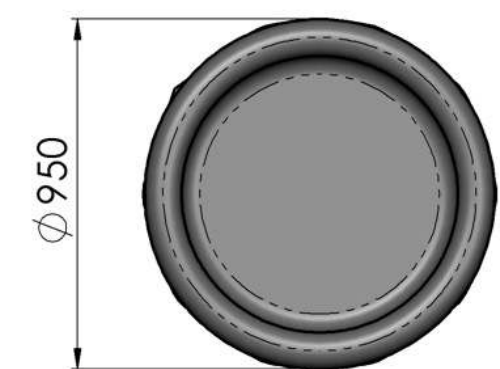
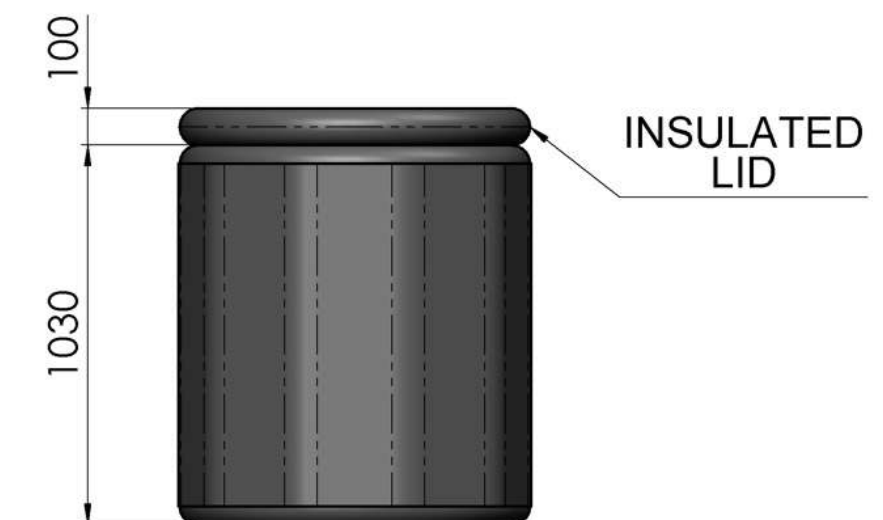
TECHNICAL DRAWINGS

	TOP VIEW	PROFILE VIEW	BACK VIEW	TOP VIEW (TANK ONLY)	PROFILE VIEW (TANK ONLY)
SIKU STD					
SIKU XL					
SUPER SIKU					

TECHNICAL DRAWINGS

	TOP VIEW	PROFILE VIEW	BACK VIEW	TOP VIEW (TANK ONLY)	PROFILE VIEW (TANK ONLY)
QANUK STD					
QANUK XL					
NANUK					

TECHNICAL DRAWINGS

	<u>TOP VIEW</u>	<u>PROFILE VIEW</u>
QINU	 <p>1320</p> <p>700</p>	 <p>100</p> <p>600</p> <p>INSULATED LID</p>
QINU X-LARGE TWO MAN	 <p>1850</p> <p>825</p>	 <p>100</p> <p>680</p> <p>INSULATED LID</p>
QINU TALL	 <p>$\phi 950$</p>	 <p>100</p> <p>1030</p> <p>INSULATED LID</p>

CONTACT US

hello@iglutherapy.com

Tel: 082 789 1236

Unit H9
Firgrove Business Park
Main Road
Firgrove
Somerset West
7129

SHOWROOM:

115 Cnr de Waterkant Road and Hudson Road
De Waterkant
Cape Town
8001