

Style .dwg files and PDFs

Format Digital

Please download all .dwg and pdf files from the website or contact [hello@iglutherapy.com](mailto:hello@iglutherapy.com)

# IGLU MALIK TECHNICAL DRAWINGS

# MANDATORY VENTILATION

MALIK, SIKU, QANUK, NANUK



**Your IGLU needs room to breathe.** Three vents manage cooling and access — don't block them.

**Back vent:** 700 mm clearance for airflow and service access (filter + water changes).

**Side vents:** 400 mm clearance each for proper ventilation.

Without these spaces, your IGLU won't perform as it should.

**Cold. Clean. Considered.**

No Clearance Needed

200mm Clearance Needed:  
For Power Cord And Ventilation



400mm **Critical** Clearance Needed:  
For Ventilation

700mm Clearance Needed:  
For Ventilation And  
Maintenance Access

# TECHNICAL DRAWINGS

TOP VIEW

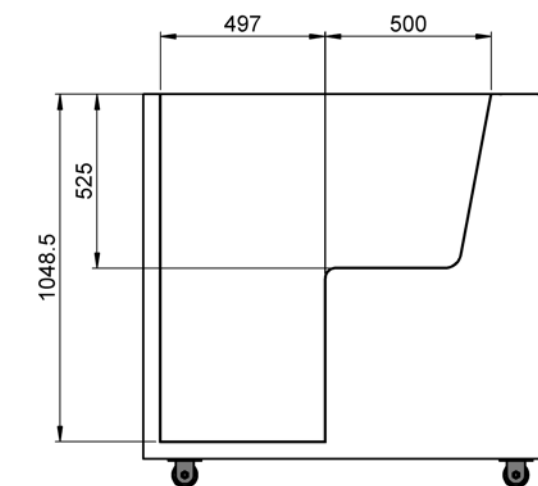
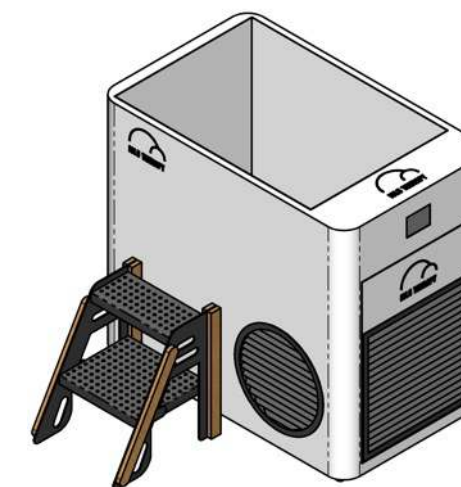
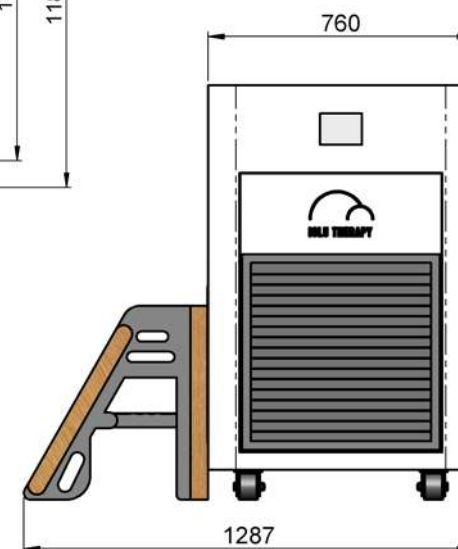
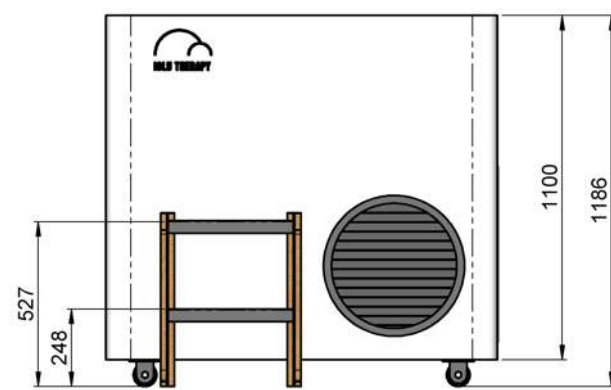
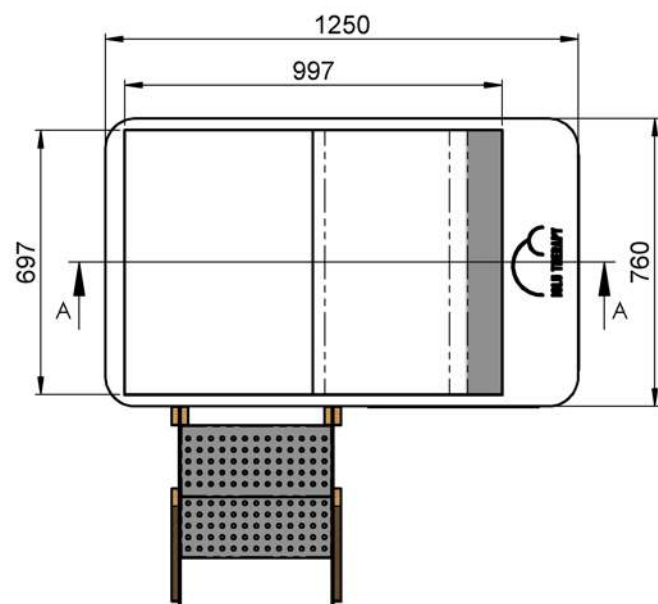
PROFILE VIEW

BACK VIEW

ISOMETRIC VIEW

SECTION A-A

MALIK  
STD



MALIK  
XL

